

# SWING GATES

## ATS

TSwing gates are used in buildings of various architectural character, and thanks to the large number of available dimensions, they can also be used as passages for the disabled.

As with tripods, gate control can be done through a hand panel or various types of access control systems.

Swing gates are often used as a complement to other types of gates to ensure full functionality of pedestrian crossing and control.



**550/900\***  
mm  
PASSAGE WIDTH

**IP 41-65\*\***  
PROTECTIVE LEVEL

  
PASSAGE FOR DISABLED

  
MOTORIZED

  
BI-DIRECTIONAL

### Advantages

- Two-way automatical swing gate
- Solution for disabled and trolley access
- High quality at an affordable price
- Stable and durable housing ideal for use in high traffic areas
- All types of access control devices can be connected
- Low power consumption
- Anti-panic function with automatic arm return
- Very quiet operation
- Gate designed for indoor and outdoor installation

### Possible variants

- ATTS
- ATHS
- AGS
- AGS Slim
- AHGS

### Standard

- Anti-panic function
- Connecting battery power supply

### Options

- Possibility of installing additional devices (door counter, biometric and proximity RFID readers, coin acceptor, buttons, barcode and QR reader)
- heater
- Electronic module that automatically activates anti-panic functions in the event of a power failure (gate opening)

\*first figure is standard, all other available upon request.

# SWING GATES

## TECHNICAL SPECIFICATIONS:

Width, mm	815-1065
Średnica słupka, mm	225
Height, mm	1000
Weight, kg (not more)	43
Mechanism	Servo drive

### Controlled by:



Access control system



Manual control

When power goes OFF, arm is loose and both directions are free.

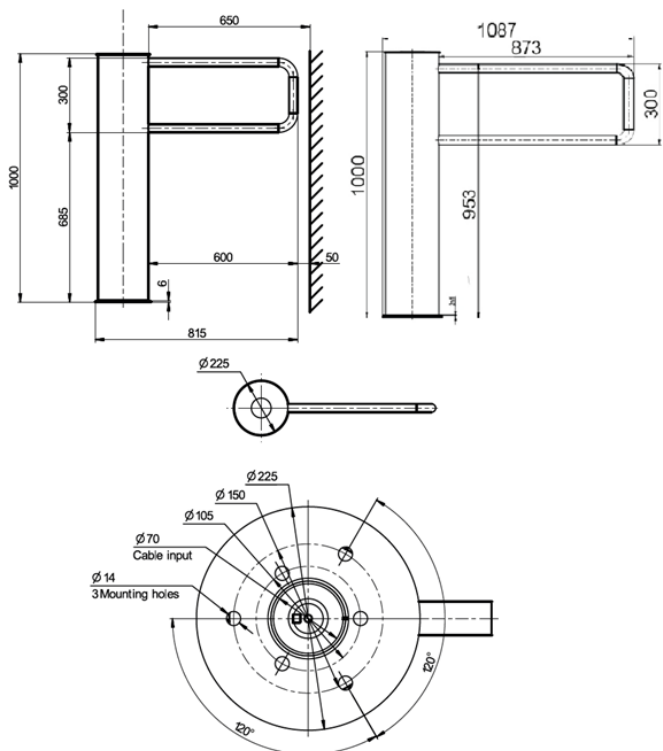
### Electrical Specifications:

- Voltage:
  - AC 100-240V, 50/60Hz
  - DC 12V
- Maximum power consumption 55W per pass

### Materials

Standard housing	Brushed stainless steel AISI 304
------------------	----------------------------------

Available housing	Brushed stainless steel AISI 316 Polished stainless steel AISI 304 Polished stainless steel AISI 316 Powder coated RAL
-------------------	---



### Installation area:

- Governmental Institutions
- Military Bases
- Power Plants
- Production sites (Industrial Plants)
- Commercial areas
- Financial institutions
- Airport Premises
- Business Centers
- Hotels
- Sport Complexes
- Urban areas

### Preparation for installation:

- Foundation dimensions:
  - Height: 300 mm
  - Length: 325 mm
  - Width: 325 mm
- Cables coming out of the foundation must have at least 1m stock
- Communication cable 1x FTP 8x0,22 (0,5 mm<sup>2</sup>) twisted pair
- Power cable 3x1,5 mm<sup>2</sup>