

SPEED GATES

SWING Slim

The combination of all the advantages of the SWING gate with a housing width of just 110 mm makes SWING SLIM a solution for objects requiring pedestrian traffic control. As a standard, the gate is equipped with double-sided LED pictograms, handles for access control and anti-tailgating (double pass blockade). The side panels and wings are made of white glass, the top cover and the front panels are made of black glass. An additional option is the use of high wings.



 550/900*
mm
PASSAGE WIDTH

 30
pers/min
CROSSING CAPACITY

 0,8
sec
OPENING/CLOSING

 IP 41
PROTECTIVE LEVEL

 PASSAGE FOR DISABLED

 ANTI-TAILGATING

 BI-DIRECTIONAL

Advantages

- Bidirectional sensory gate
- High quality at an affordable price
- Illuminated window that changes color depending on the door status.
- Stable and durable housing ideal for use in high traffic areas
- All types of access control devices can be connected
- Low power consumption
- Anti-panic function
- Very quiet operation
- Gate adapted for indoor installation
- Equipped with an integrated proximity card reader holder under the top cover

Standard

- Double-sided LED pictograms
- Wired Control panel
- Anti-panic function
- Connecting battery power supply

Options

- Possibility of installing additional devices (door counter, biometric and proximity RFID readers, coin acceptor, buttons, barcode and QR reader)
- heater
- Electronic module that automatically activates anti-panic functions in the event of a power failure (gate opening)
- Option to order in the middle version (SWING MID)
- Possibility to buy the housing without a mechanism as a fence

Possible variants

- SWING Slim 900
- SWING Slim MID

*first figure is standard, all other available upon request.

SPEED GATES

TECHNICAL SPECIFICATIONS:

Width, mm	Passage 550 – 770 Passage 900 – 1120
Length, mm	1334
Height, mm	1000
Weight, kg (not more)	One passage – 450 Two passages – 700
Mechanism	Servo drive

Controlled by:

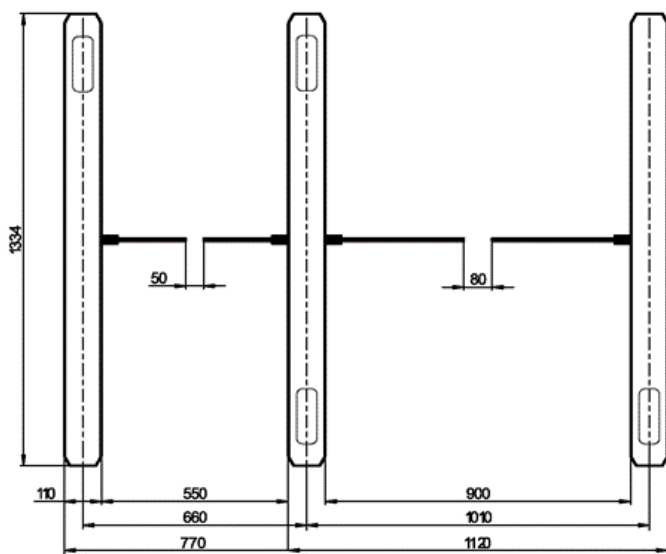
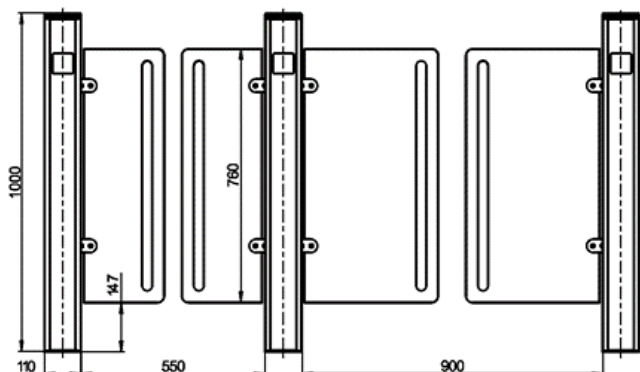


Access control system



Manual control

When power goes OFF both directions are free.



Electrical Specifications:

- Voltage:
 - AC 100-240V, 50/60Hz
 - DC 12V
- Maximum power consumption 155W per pass

Materials

Standard housing / top lid	Brushed stainless steel AISI 304 / Black tempered glass
Available housing	Brushed stainless steel AISI 316 Polished stainless steel AISI 304 Polished stainless steel AISI 316 Power coated RAL
Available top lid variants	Tempered glass in colour Wood Steel Stone Other on request

Installation areas:

- Governmental Institutions
- Military Bases
- Power Plants
- Production sites (Industrial Plants)
- Commercial areas
- Financial institutions
- Airport Premises
- Business Centers
- Hotels
- Sport Complexes
- Urban areas

Preparation for installation:

- Foundation dimensions:
 - Height: 300 mm
 - Length: 1500 mm
 - Width: 1000-1300 mm
- Cables coming out of the foundation must have at least 3m stock
- Cables connecting gates:
 - 2x FTP 8x0,22 (0,5 mm²) twisted pair
 - 1x cable 2x 0,75 mm²
- Communication cable 2x FTP 8x0,22 (0,5 mm²) twisted pair
- Power cable 3x1,5 mm²